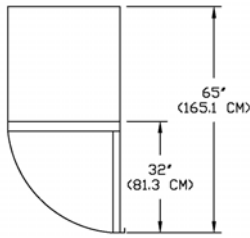
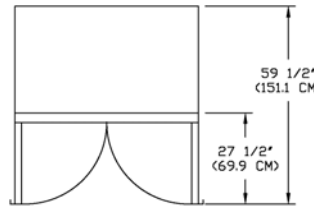


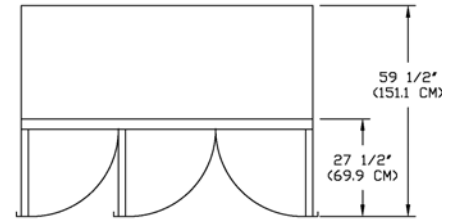
NSRI241WSW/



NSRI331WSW/



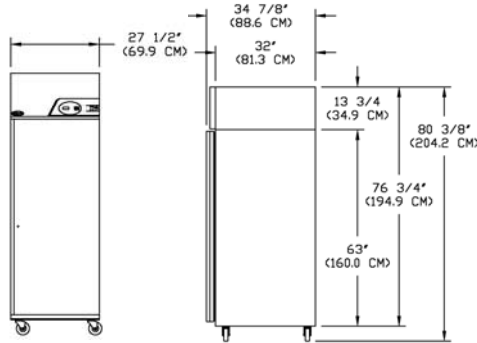
NSRI522WSW/



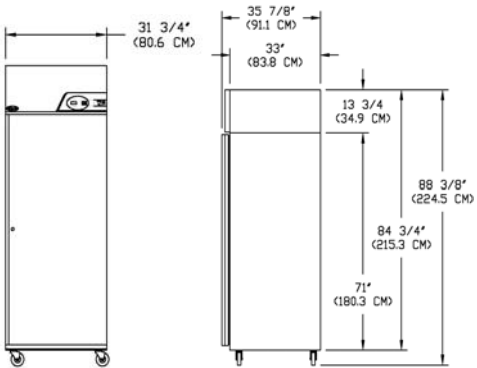
NSRI803WSW/

SPECIFICATIONS

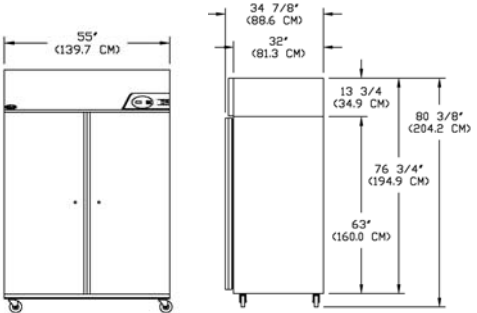
Model	NSRI241WSW/8	NSRI331WSW/8	NSRI522WSW/8	NSRI803WSW/8
Model	NSRI241WSW/5	NSRI331WSW/5		
Crated Height (in) (cm)	83-3/4 (212.7)	91-3/4 (233.0)	83-3/4 (212.7)	83-3/4 (212.7)
Crated Width (in) (cm)	31 (78.7)	35-1/4 (89.5)	58-1/2 (148.6)	86 (218.4)
Crated Depth (in) (cm)	38 (96.5)	39 (99.1)	38 (96.5)	38 (96.5)
Crated Weight (lbs) (kg)	380 (172.0)	439 (199.5)	580 (263.0)	830 (377.0)
Interior Height (in) (cm)	59 (149.9)	67 (170.2)	59 (149.9)	59 (149.9)
Interior Width (in) (cm)	23-1/2 (59.7)	27-3/4 (70.5)	51 (129.5)	78-1/2 (199.4)
Interior Depth (in) (cm)	30 (76.2)	31 (78.7)	30 (76.2)	30 (76.2)
Overall Height (in) (cm)	80-3/8 (204.2)	88-3/8 (224.5)	80-3/8 (204.2)	80-3/8 (204.2)
Overall Width (in) (cm)	27-1/2 (69.9)	31-3/4 (80.6)	55 (139.7)	82-1/2 (209.6)
Overall Depth (in) (cm)	34-7/8 (88.6)	35-7/8 (91.1)	34-7/8 (88.6)	34-7/8 (88.6)
Gross Cubage (ft. ³) (m ³)	24.1 (0.68)	33.1 (0.94)	51.9 (1.47)	79.9 (2.26)
Shelf Area (sq. ft.) (m ²)	12.83 (0.36)	15.85 (0.45)	28.58 (0.81)	42.88 (1.21)
Number of Shelves	3	3	6	9
Number of Casters	4	4	4	6
Condensing Unit Size	1/4HP	1/4HP	1/2HP	3/4HP
Refrigerant	R134A	R134A	R134A	R134A
Maximum Fuse Size	15	15	20	30
Total Amp Draw /8	11.7	11.7	13.4	18.79*
Total Amp Draw /5	11.4	11.4	N/A	N/A



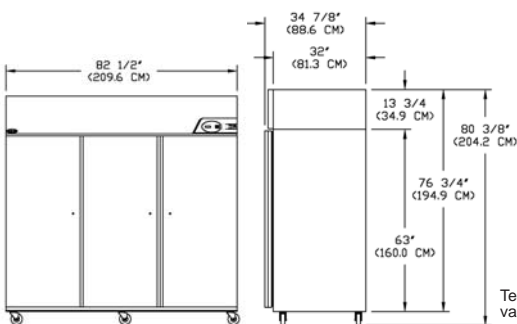
NSRI241WSW/



NSRI331WSW/



NSRI522WSW/

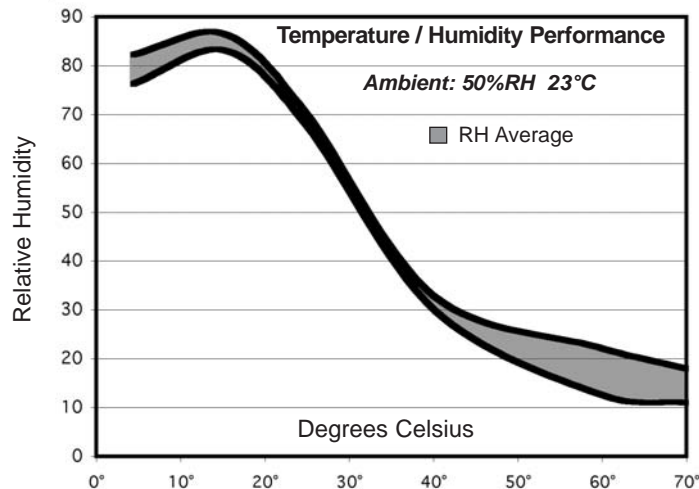


NSRI803WSW/

Front

Side

Voltage Model Suffix Code	Voltage Description	NEMA Plug	NEMA Receptacle
/5	230V, 1PH, 50HZ	Power Inlet (IEC 60320) Module	Cord Supplied Locally
/8	115/208-230V/1PH60HZ	L-14-20P	L-14-20R
*/8	115/208-230V/1PH60HZ	L-14-30P	L-14-30R



Temperature Variation: +/-0.5°C @ 4°C to 70°C. The published temperature variation is derived from the maximum deviation of the thermocouple located nearest the chamber geometric center during the entire test period. (i.e. 25.0°C min and 26.0°C max divided by two would be a variation of +/-0.5°C). Temperature Uniformity: +1°C @ 4°C to 70°C. The published temperature uniformity is derived from the maximum deviation of 9 thermocouples are placed on 3 horizontal planes, each plane having the thermocouples evenly spaced diagonally across the shelf from the left and right inner wall, and the middle sensor placed in the approximate geometric center of the shelf. Performance data is based on 23°C, 50%RH ambient conditions, type T-24 Ga. thermocouples with 1.0oz. brass slugs attached and no product in the chamber. Data may vary if: ambient conditions change, product load is added, or other changes cause interference to chamber airflow.



Revision Date: 4/06
 © 2006 NOR-LAKE, INC.
 Printed in the U.S.A.
 Part Number: 117047



NOR-LAKE SCIENTIFIC TEMPERATURE TEST CHAMBERS

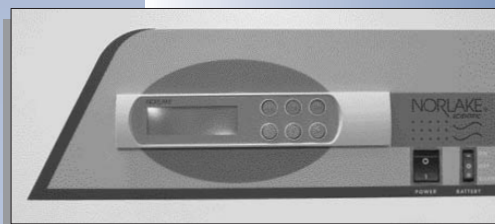
Designed to meet the demanding requirements of pharmaceutical (ICH), biological (BOD), scientific and laboratory applications. Industrial quality cabinet with a heavy duty refrigeration system.

Standard Product Features:

- Programmable logic microprocessor controller with LCD Control Panel with message center
- 4 x 20 character LCD display
- Continuous product temperature display
- Air probe with air temperature Hi/Lo alarms, audible and visual
- Programmable ramp soak feature
- 2 levels of user password protection (set points and parameters)
- 100 event alarm logging including Date/Time Stamp and product temperatures. Stored in nonvolatile flash memory
- Integrated Hi/Lo alarm tests
- Door ajar alarm with adjustable delay time period
- Power failure alarm
- Remote alarm contacts
- Interior drain and plug
- Proportional control and refrigeration
- Thermostatic expansion valve
- Coated evaporator
- Stainless steel interior
- Thermostatically controlled door frame heater
- 3 epoxy coated wire shelves per door
- Industrial quality refrigeration system
- Streamlined refrigeration design optimizes air flow and temperature uniformity
- Key lock door and casters
- Complete cabinet is foamed-in-place with CFC Free high density polyurethane foam insulation
- Operating temperature : 4°C to 70°C
- Warranties: 18 month parts and labor, 5 year compressor (US and Canada) 18 months parts (International)
- UL, C-UL, CE Mark

Optional Features:

- Electrical outlet
- Temperature chart recorder
- Chart paper
- RS485 Communication outputs
- Access port 2"
- Extra shelves
- Stainless steel exterior
- 4-20 MA output



NSRI331WSW/



NSRI241WSW/

NSRI522WSW/

NSRI803WSW/



Nor-Lake, Inc.
Registered to ISO 9001:2000
File No. A3204

NOR-LAKE SCIENTIFIC
A Division of
NOR-LAKE, INCORPORATED
727 Second Street
P.O. Box 248
Hudson, Wisconsin 54016
800-477-5253
715-386-2323
800-388-5253 PARTS
715-386-4290 FAX
www.norlake.com